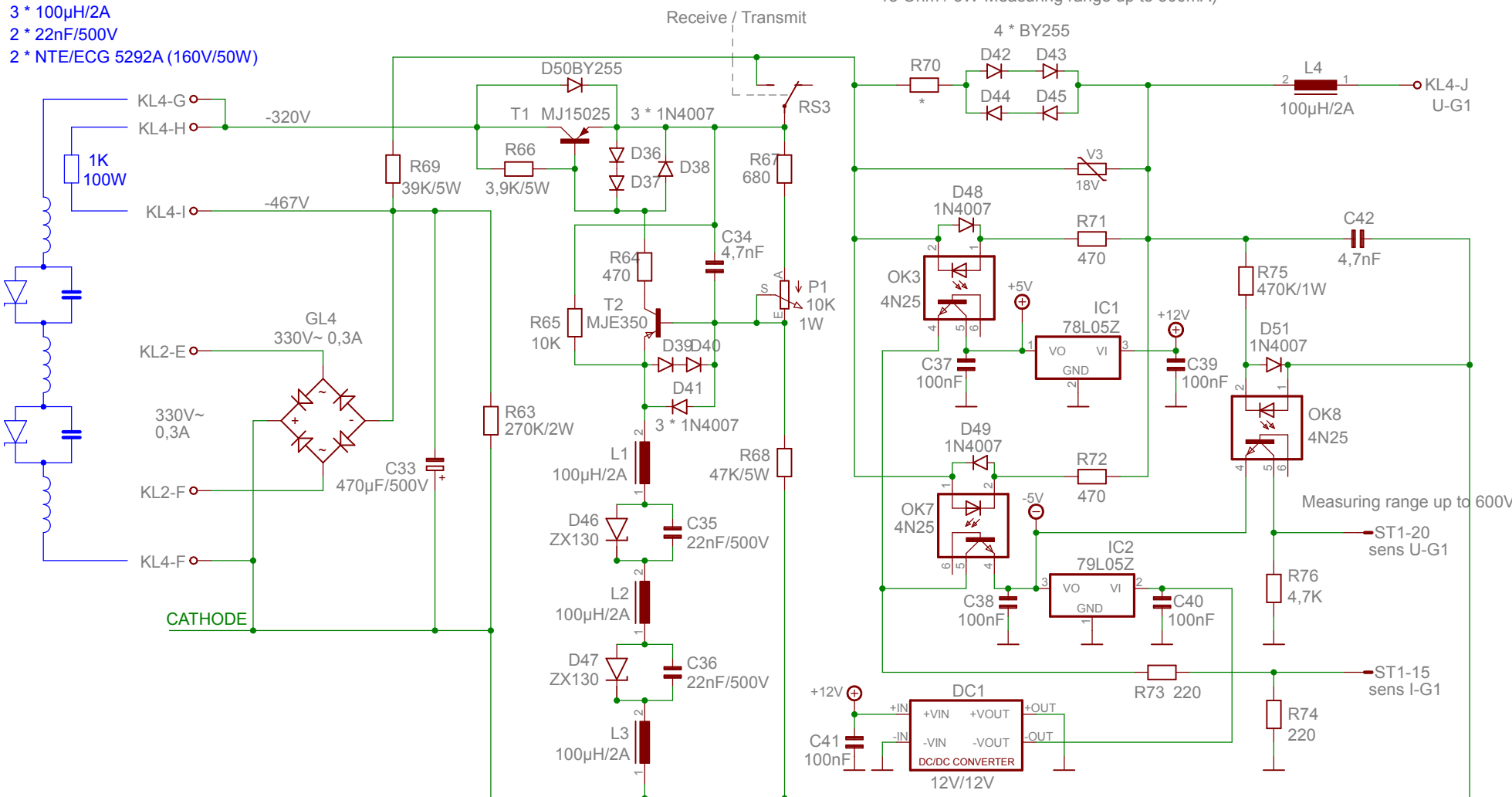


**EXTERN**  
 3 \* 100µH/2A  
 2 \* 22nF/500V  
 2 \* NTE/ECG 5292A (160V/50W)

\* 18 Ohm / 5W Measuring range up to 500mA)



all Voltage Data are vs. Cathode

Ug1: -467V, Receive / -225V...-265V, Transmit: adjust P1 for a Plate Current (Zero Signal): 500mA

DRESSLER Katana20K ©DC9DZ		
Grid Power Supply		
Dateiname:	Katana20K Power Supply	REV:
Datum:	02.07.2014	Blatt: 3/4